

## H101-WJC-LG-UP

**Stage compatibility: in the Super Z galvo stage (SP5/SP8), by replacing the Leica specimen holder**

**Features:**

- The chamber hosts #1 35mm petri or #1 chamber slide
- Chamber uniformly heated by means water circulation in water tight channels present in the main body and in the lid.
- Total weight on galvo stage: 139 g
- The chamber hosts #1 35mm Petri Dish
- Perfusion holes: 4 channels for 2.0 mm O.D. tubings are available for perfusion





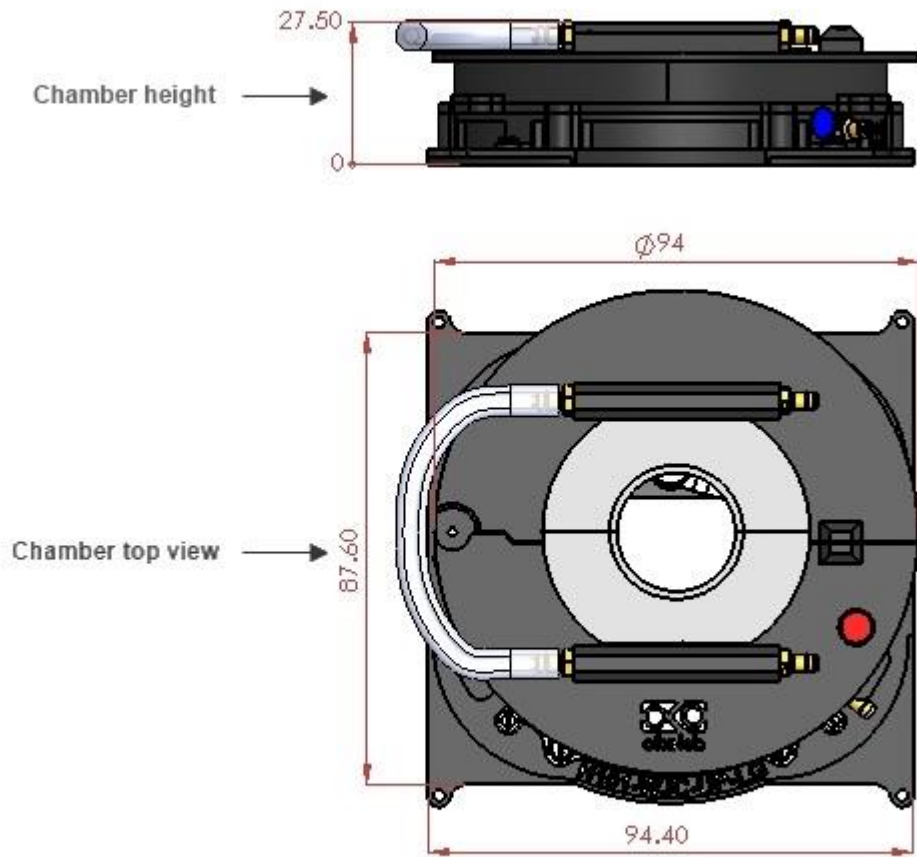
**H101-WJC-LG-UP**

H101-WJC-LG-UP - 3D View



**H101-WJC-LG-UP**

H101-WJC-LG-UP - Components



H101-WJC-LG-UP - Dimensions